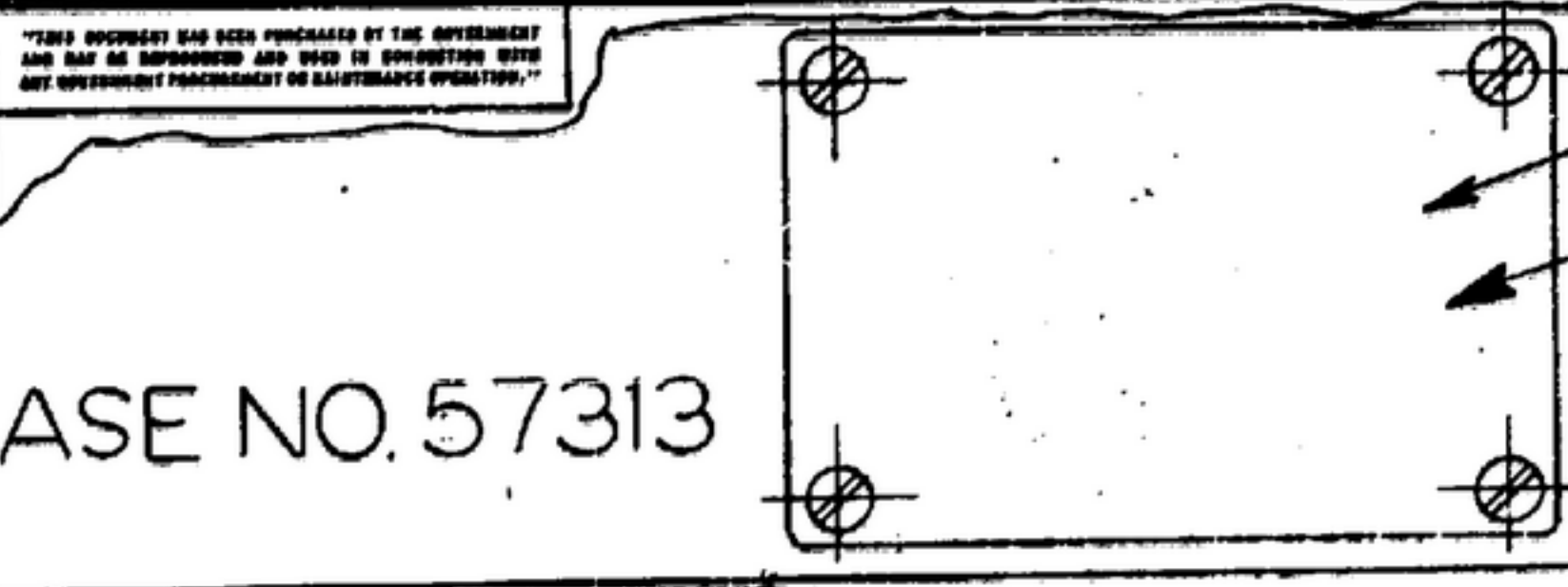


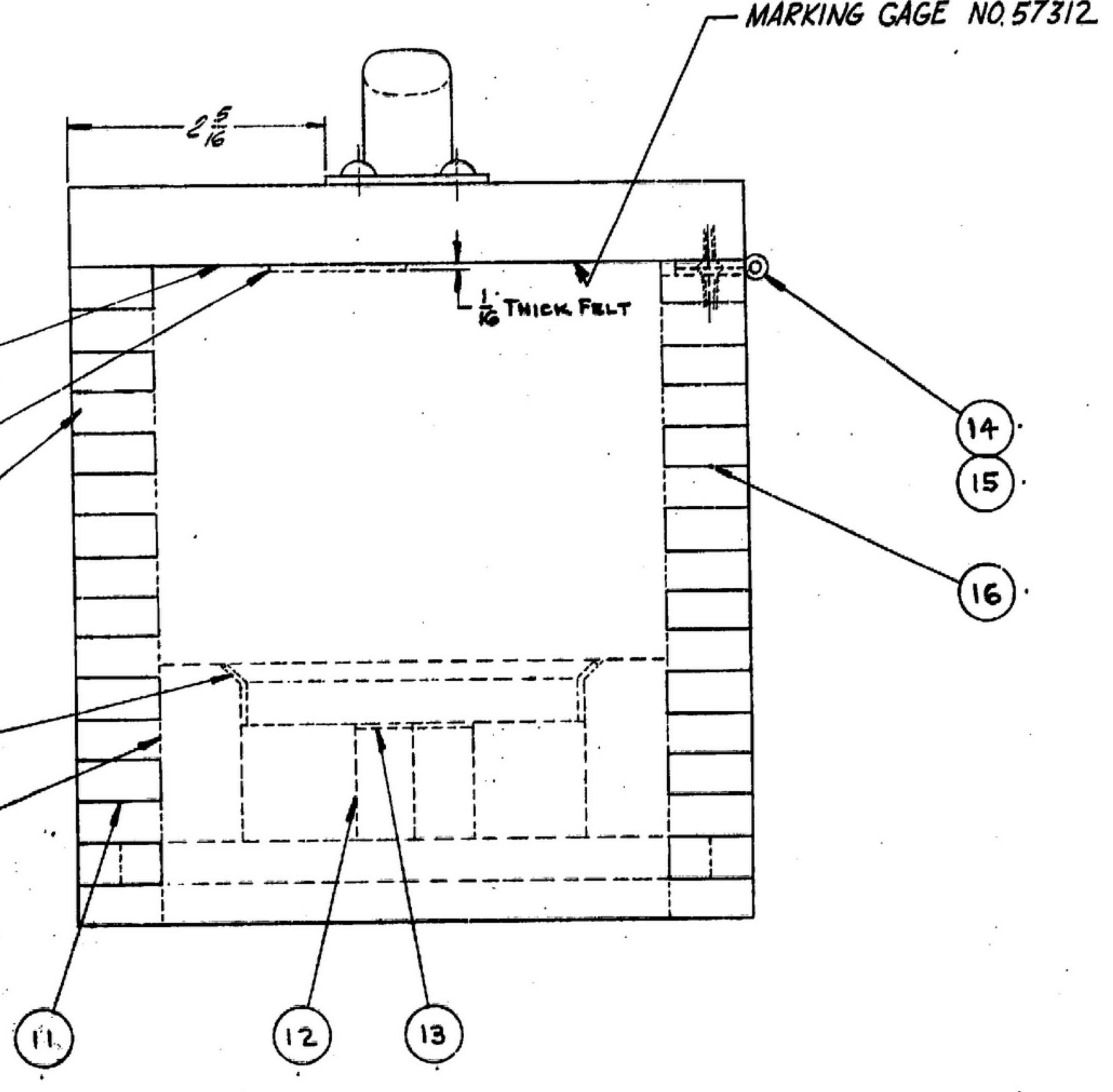
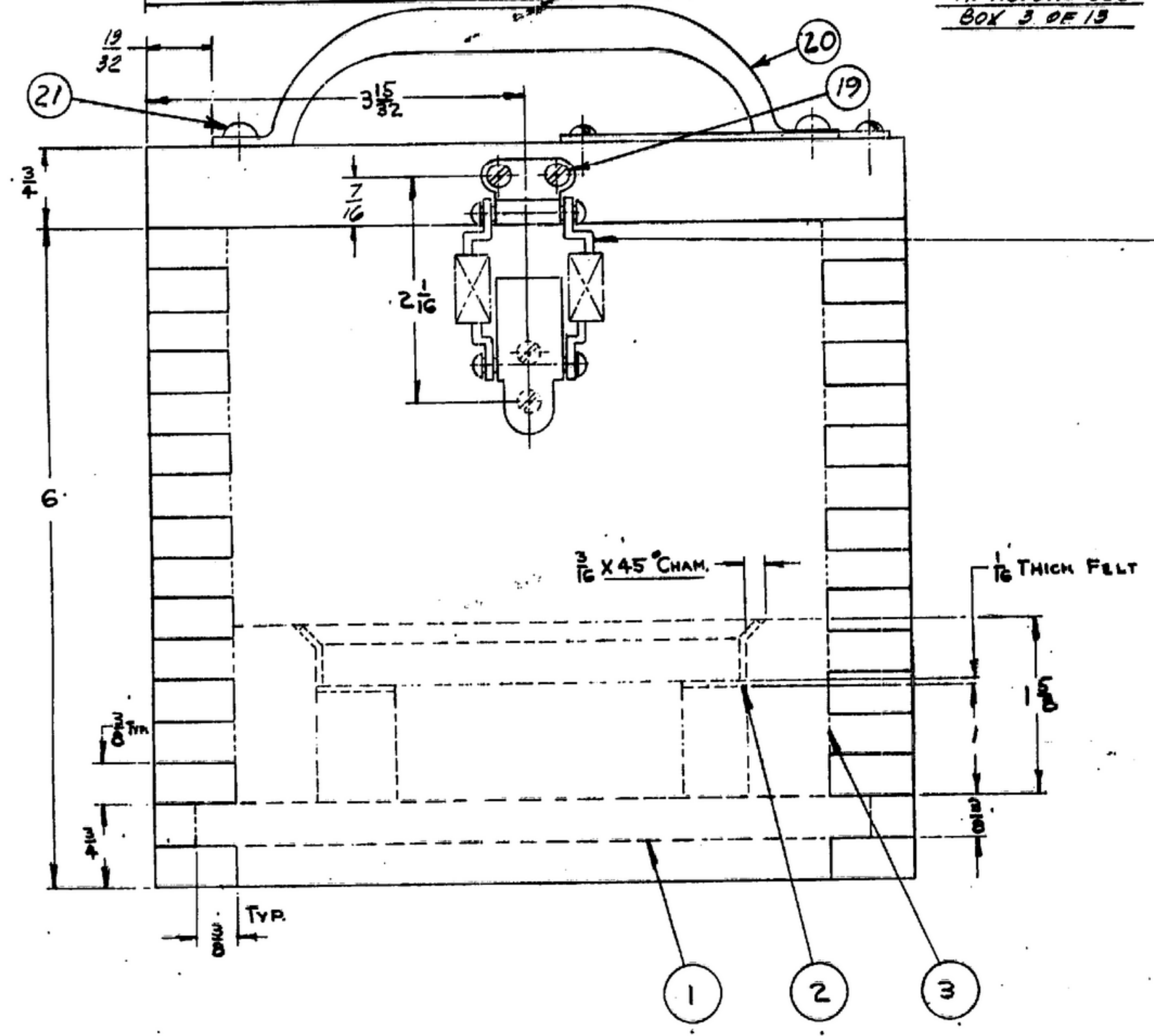
SYM	DESCRIPTION	DATE	APPROVAL
-----	-------------	------	----------

NOTICE: WHEN GOVERNMENT DRAWINGS, SPECIFICATIONS, OR OTHER DATA ARE USED FOR ANY PURPOSE OTHER THAN OR IN CONNECTION WITH A SPECIFICALLY AUTHORIZED GOVERNMENT PURCHASE, THE UNITED STATES GOVERNMENT TAKES NO RESPONSIBILITY AND NO WARRANTY WHATSOEVER FOR THE ACCURACY OR USE THEREOF. THE USER SHALL BE RESPONSIBLE FOR OBTAINING ALL NECESSARY INFORMATION AND FOR THE PROTECTION OF HIS RIGHTS IN ANY PATENT RIGHTS OR OTHER RIGHTS IN ANY DESIGN OR INVENTION THAT MAY BE MADE BY HIM OR HIS EMPLOYEES OR AGENTS.

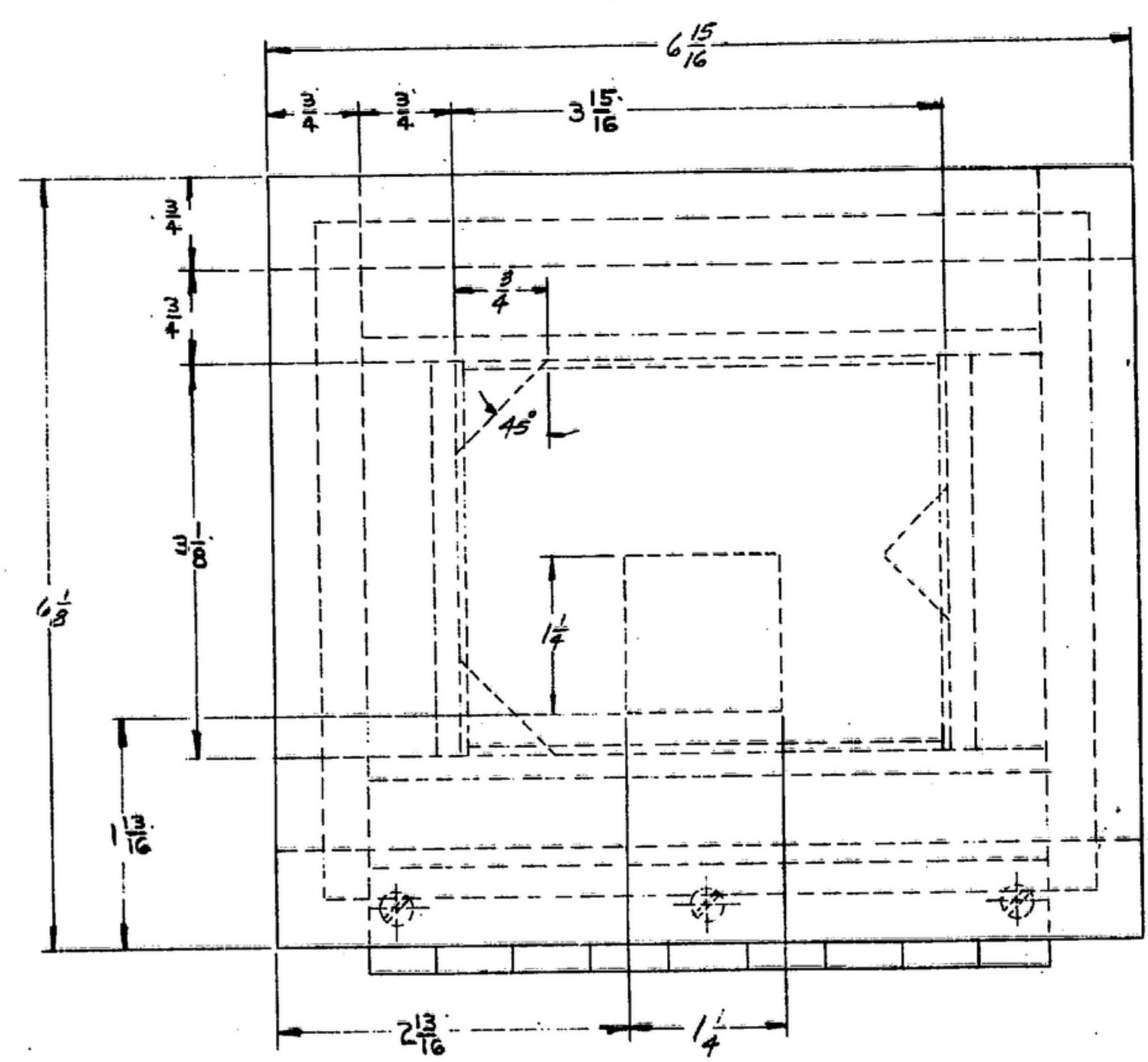


NOTE: *FOR INFORMATION ONLY. CONTRACTOR MAY AT HIS OPTION DEVIATE FROM THESE PROCESS DETAILS

ENGRAVE:
 GAGE PUR R-300A/URR
 CAUTION - PRECISION INSTRUMENT
 HANDLE WITH CARE
 REPLACE GAGE IN ASSIGNED POSITION IN CASE WHEN NOT IN ACTUAL USE.
 BOX 3 OF 13



- NOTES:
- SUPPLIED BY:
- CORBIN CABINET LOCK DIVISION
THE AMERICAN HARDWARE CORPORATION
NEW BRITAIN, CONNECTICUT. OR EQUAL
 - MCMASTER-CARR SUPPLY CO.
640 WEST LAKE STREET
CHICAGO 6, ILLINOIS. OR EQUAL
 - COMMERCIAL DOUGLAS FIR PLYWOOD EXTERIOR TYPE
GRADE SOUND & SIDES EXTERIOR PER SPEC. MIL-P-66.
 - ALL JOINTS INCLUDING BOTTOM SHALL BE BONDED WITH ALUMINUM PER SPEC. MIL-A-387 TYPE I, CLASS I AND APPLIED PER SPEC. MIL-A-5433.
 - BREAK ALL UNNECESSARY SHARP EDGES.
 -



SYM	QTY	DESCRIPTION	MATERIAL	REMARKS
21	4	#8 x 5/8 RD. HD. WOOD SCR.	STEEL	
20	1	STEEL HANDLE		2
19	4	#6 x 1/2 RD. HD. WOOD SCR.	BRASS	
18	4	#6 x 1/2 RD. HD. WOOD SCR.	BRASS	
17	1	TAG TO SUIT	AL. ALLOY	QR-A-318
16	1	SIDE 3/4 x 6 x 6 1/16	PLYWOOD	
15	6	#5 x 1/2 FLAT HD. WOOD SCR.	BRASS	
14	1	BRASS HINGE		2
13	3	PAD 1/16 x 1/2 x 1 1/16	FELT	C-F-206
12	3	BLOCK 1/2 x 1 x 1 1/16	HARDWOOD	MM-L-736
11	1	SIDE 3/4 x 6 x 6 1/16	PLYWOOD	
10	2	RAIL 3/4 x 1 3/8 x 5 1/16	PLYWOOD	
9	2	PAD 1/16 x 3/8 x 3 1/16	FELT	C-F-206
8	2		PLYWOOD	
7	1		FELT	C-F-206
6	1		PLYWOOD	
5	1			1
4	1			1
3	2		PLYWOOD	
2	2		FELT	C-F-206
1	1	SM-D-57313	PLYWOOD	

UNLESS OTHERWISE SPECIFIED DIMENSIONS ARE IN INCHES. TOLERANCES ON FRACTIONS DECIMALS ANGLES	ORDER# 08719-PH-55-93	DEPARTMENT OF THE ARMY SIGNAL CORPS ENGINEERING LABORATORIES FORT MONMOUTH, NEW JERSEY
SCGL-57592	REVIEWED PME	
APPLICATION	APPROVED M.H.P.M.E.	CASE, GAGE
	DATE 27-10-55	

SM-D-57313

WHEN REFERRING TO THIS DRAWING STATE DRAWING NO., APPLICABLE ISSUE, AND DATE.